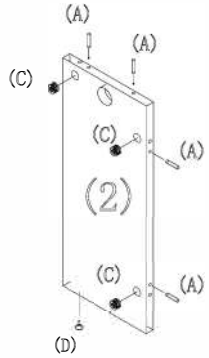
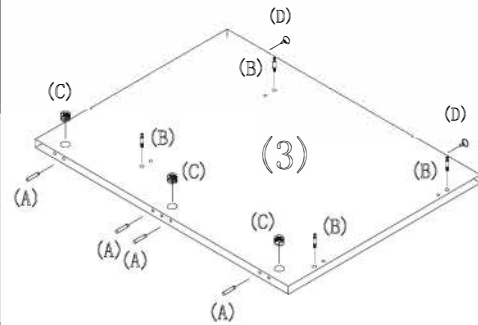


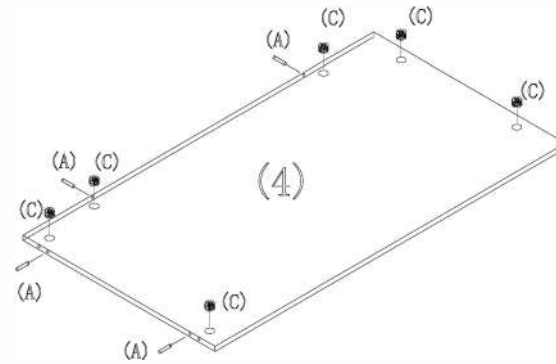
STEP 1



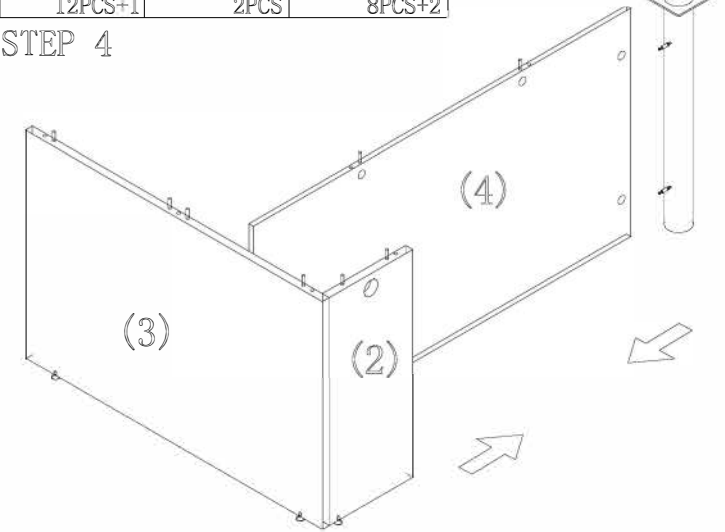
STEP 2



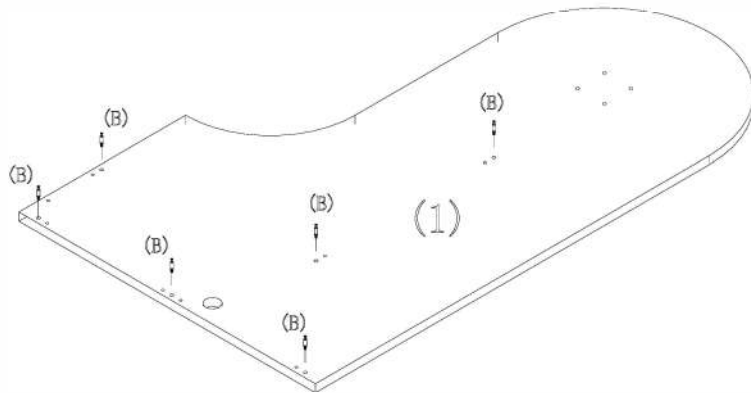
STEP 3



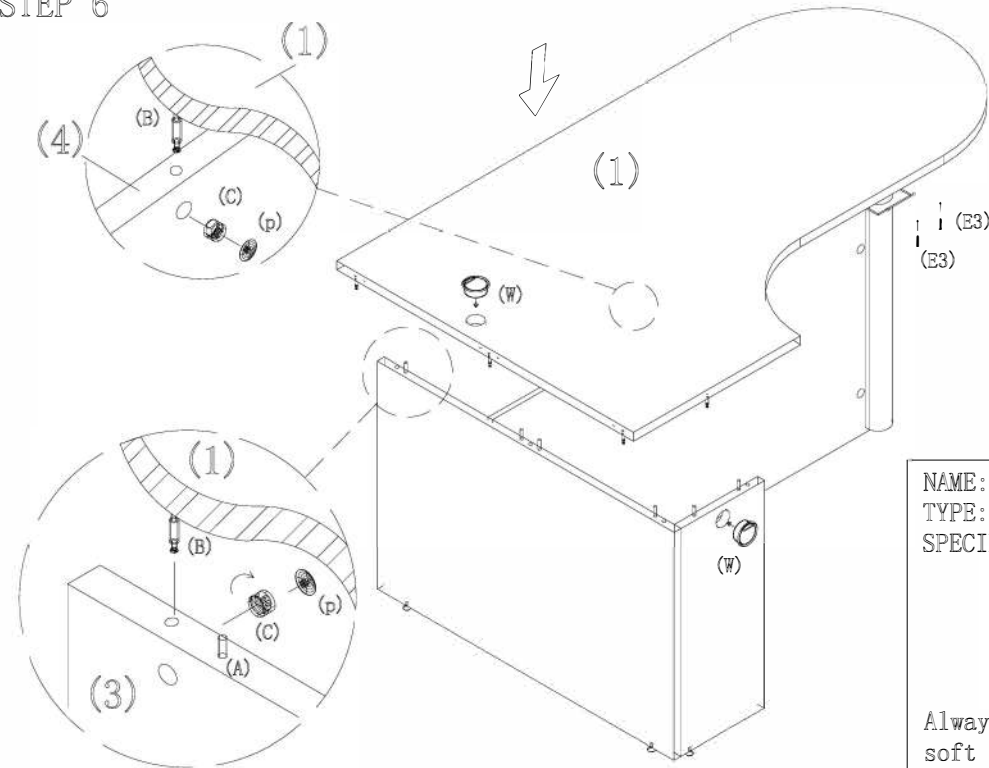
STEP 4



STEP 5



STEP 6



NAME: BULLET W/COMPUTER CORNER L
 TYPE: NAP-57TL
 SPECIFICATION: 71"W*42"D*29"H



Always lay components on clean, soft cushioned surface only.